

ASAHI VALVE AND PIPING SYSTEMS

ASAHI AV VALVES

Y-SEDIMENT STRAINER 15mm - 100mm(1/2inch - 4inch)



Y-SEDIMENT STRAINER 15mm - 100mm(1/2inch - 4inch)



FEATURES

- Because of its plastic body, the sediment STRAINER (Y) is highly corrosion chemical and wear resistant.
- The body is transparent, so that flow through the STRAINER can easily be checked.
- The sediment STRAINER is easy to disassemble and reassemble to clean or replace its screen.

NSF Product

NSF("NSF/ANSI STANDARD 61" Drinking Water System Components-Health Effects)Product.

:Y-SEDIMENT STRAINER TYPE-Y (Material:PVC+EPDM,FKM)

*Certified products bear an NSF Certification Mark.

SPECIFICATIONS

Body material	Unplasticized Polyvinyl Chloride (PVC) (The body is only made of transparent PVC.)
Nominal Size	15mm(1/2inch),20mm(3/4inch),25mm(1inch),40mm(1 1/2inch), 50mm(2inch),80mm(3inch),100mm(4inch)
End Connectors	Socket End, Threaded End, Flanged End
Working Temperature	0 - 50°C (30° F - 120° F)
Mesh	20 mesh (30,40 & 60 Mesh Available)
Max. Working Pressure	1.0MPa{10.2kgf/cm²}[150PSI] ...15 - 50mm(1/2inch - 2inch) 0.6MPa{6.1kgf/cm²}[85PSI] ...80, 100mm(3inch - 4inch)

Note : Volatile liquids such as a hydrogen peroxide (H₂O₂) and sodium hypochlorite (NaClO) medium, may vaporize, thus causing an abnormal pressure increase in the valve. (Important: Gas is compressible. Thus if its pressure rises abnormally, gas may break a valve into pieces, which in turn violently scatter in all

- Store the Sediment Strainer in an indoor place free of direct sunlight.
- Do not store the Sediment Strainer in a hot place.
- Install the Sediment Strainer in a place free of direct sunlight.

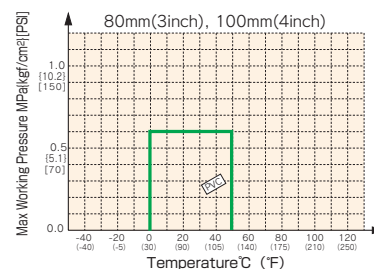
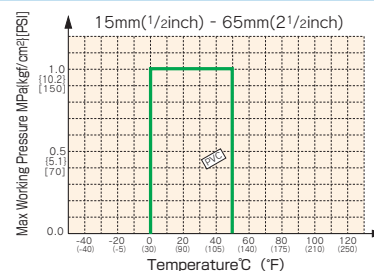
PARTS & MATERIALS

No.	DESCRIPTION	Pcs.	MATERIAL
①	BODY	1	PVC
②	FILTER SCREEN	1	PVC,PVDC
③	SCREEN SUPPORT	1	PVC
④	END CONNECTOR	2	PVC
⑤	UNION NUT	3	PVC
⑥	RETAINING RING	1	PVC
⑦	SPLIT RING	1	PVC
⑧	O-RING(A)	2	EPDM,FKM,Others
⑨	O-RING(B)	1	EPDM,FKM,Others
⑩	STOP RING ¹⁾	2	PVDF

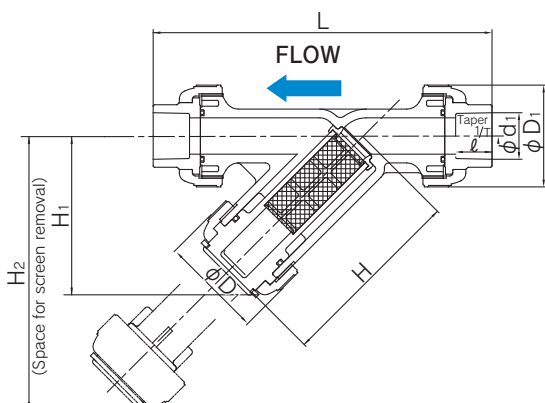
1) Used for Flanged End

WORKING PRESSURE VS. TEMPERATURE

STRAINER(Y)



DIMENSIONS (Socket End)

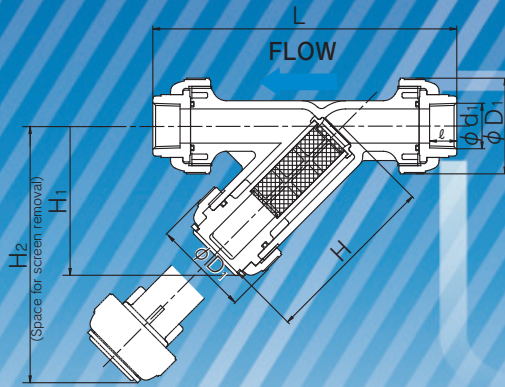


DIMENSIONS TABLE (Socket End)

DIN 8063		Unit:mm						
Nominal Size	d	d ₁	ℓ	D ₁	L	H	H ₁	
mm	inch							
15	1/2	15	20	16	48	165	97	78
20	3/4	20	25	19	60	201	120	98
25	1	25	32	22	70	224	133	111
40	1 1/2	40	50	31	96	228	177	149
50	2	51	63	38	106	337	190	160
80	3	78	90	51	152	457	271	234
100	4	100	110	61	210	607	361	316

ANSI ASTM SCH80		Unit:inch							
Nominal Size	d	d ₁	ℓ	D ₁	L	H	H ₁	H ₂	
inch	mm								
1/2	15	0.59	0.848	0.87	1.89	6.93	3.82	3.07	5.23
3/4	20	0.79	1.058	1.00	2.36	8.30	4.72	3.86	6.55
1	25	0.98	1.325	1.12	2.76	9.37	5.24	4.37	7.37
1 1/2	40	1.57	1.912	1.38	3.93	12.13	6.97	5.87	9.98
2	50	2.01	2.387	1.50	4.17	13.31	7.48	6.29	10.80
3	80	3.07	3.516	1.87	5.98	17.83	10.67	9.21	15.59
4	100	3.94	4.518	2.25	8.27	23.54	14.21	12.44	20.94

DIMENSIONS (Threaded End)

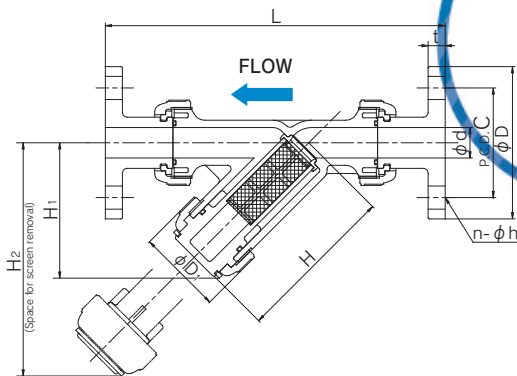


DIMENSIONS TABLE (Threaded End)

DIN 2999		Unit:mm							
Nominal Size		d	d ₁	ℓ	D ₁	L	H	H ₁	H ₂
mm	inch								
15	1/2	15	Rc 1/2	15	48	165	97	78	134
20	3/4	20	Rc 3/4	17	60	202	120	98	168
25	1	25	Rc 1	20	70	224	133	111	189
40	1 1/2	40	Rc 1 1/2	25	96	287	177	149	256
50	2	51	Rc 2	28	106	324	190	160	277
80	3	78	Rc 3	35	152	436	271	234	399
100	4	100	Rc 4	45	210	596	361	316	537

ANSI/ASME B1.20.1		Unit:inch							
Nominal Size		d	d ₁	ℓ	D ₁	L	H	H ₁	H ₂
inch	mm								
1/2	15	0.59	NPT 1/2	0.59	1.89	6.50	3.82	3.07	5.23
3/4	20	0.79	NPT 3/4	0.67	2.36	7.95	4.72	3.86	6.55
1	25	0.98	NPT 1	0.79	2.76	8.82	5.24	4.37	7.37
1 1/2	40	1.57	NPT 1 1/2	0.98	3.94	11.30	6.97	5.87	9.98
2	50	2.01	NPT 2	1.10	4.17	12.76	7.48	6.30	10.80
3	80	3.07	NPT 3	1.38	5.98	17.17	10.67	9.21	15.59
4	100	3.94	NPT 4	1.77	8.27	23.47	14.21	12.44	20.94

DIMENSIONS (Flanged End)



DIMENSIONS TABLE (Flanged End)

DIN 2501		Unit:mm									
Nominal Size		d	C	D	n	h	D ₁	L	H	H ₁	H ₂
mm	inch										
15	1/2	15	65	95	4	14	48	193	97	78	134
20	3/4	20	75	105	4	14	60	232	120	98	168
25	1	25	85	115	4	14	70	253	133	111	189
40	1 1/2	40	110	150	4	18	96	324	177	149	256
50	2	51	125	165	4	18	106	361	190	160	277
80	3	78	160	200	8	18	152	483	271	234	399
100	4	100	180	220	8	18	210	608	361	316	537

ANSI 150 lbs.		Unit:inch									
Nominal Size		d	C	D	n	h	D ₁	L	H	H ₁	H ₂
inch	mm										
1/2	15	0.59	2.38	3.50	4	0.63	1.89	8.11	3.82	3.07	5.23
3/4	20	0.79	2.76	3.86	4	0.63	2.36	10.00	4.72	3.86	6.55
1	25	0.98	3.13	4.25	4	0.63	2.76	11.02	5.24	4.37	7.37
1 1/2	40	1.57	3.88	5.00	4	0.63	3.94	13.23	6.97	5.87	9.98
2	50	2.01	4.47	5.98	4	0.75	4.17	14.21	7.48	6.30	10.80
3	80	3.07	6.00	7.52	4	0.75	5.98	18.78	10.67	9.21	15.59
4	100	3.94	7.50	9.02	8	0.75	8.27	23.94	14.21	12.44	20.94

Recommendations for use

- Observe flow direction before installation. (Direction arrow mark is embossed on body.)
- Screen should be cleaned periodically.
- Avoid direct sunlight.
- Caution : the following, chemicals such as Hydrogen Peroxide (H₂O₂). Sodium Hypochlorite(NaClO) are capable of generating will cause the abnormal pressure due to their vaporization nature.



AURO LOCATIONS

AURO Armaturen- und RohrhandelsgesmbH
Lichtblaustraße 21
A-1220 Wien
Austria
Tel: +43/1/2565555
Fax: +43/1/25655555
E-Mail: wien@auro.cc

AURO Bulgaria EOOD
Illianci
3, Azalia Str.
BG-Sofia 1271
Bulgaria
Tel: +359/2/4894519
Fax: +359/2/4894722
E-Mail: bulgaria@auro.cc

AURO spol s.r.o
Technická 2/539
CZ-66448 Moravany u Brna
Czech Republic
Tel: +420/54/5233328
Fax: +420/54/5234753
E-Mail: auro@auro.cz

SC AURO Romania SRL
25-27, Celofibrei Str.
RO-077025 Bragadiru
Judetul Ilfov
Romania
Tel: +40/21/4205217
Fax: +40/21/4205218
E-Mail: romania@auro.cc

AURO Budapest Kft.
Gyár u. 2
H-2040 Budaörs
Hungaria
Tel: +36/23/503920
Fax: +36/23/503921
E-Mail: aurobp@aurobp.hu