

ASAHI **AV** VALVE AND PIPING SYSTEMS

ASAHI AV VALVES

BUTTERFLY VALVE TYPE 57L (Lug Style)



BUTTERFLY VALVE TYPE 57L (Lug Style)

FEATURES

●PDCPD



●PVC



Easy Piping Maintenance

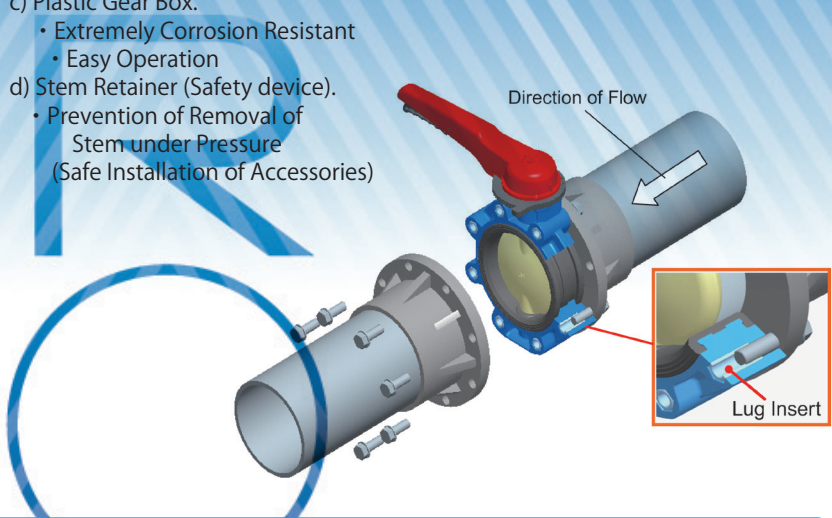
It is not necessary to remove fluid from the pipe line.

Strong In Pulsating Pressure

3 Times Stronger than a Major Competitor.

Same Features as Type57

- a) Protection for Over-Tightening Constant Stem Torque.
- b) New Designed Disc and Seat (Liner).
 - Longer Life
 - Lower Sealing Torque
 - Higher Cv Value
- c) Plastic Gear Box.
 - Extremely Corrosion Resistant
 - Easy Operation
- d) Stem Retainer (Safety device).
 - Prevention of Removal of Stem under Pressure (Safe Installation of Accessories)



SPECIFICATIONS

- DIN Standard

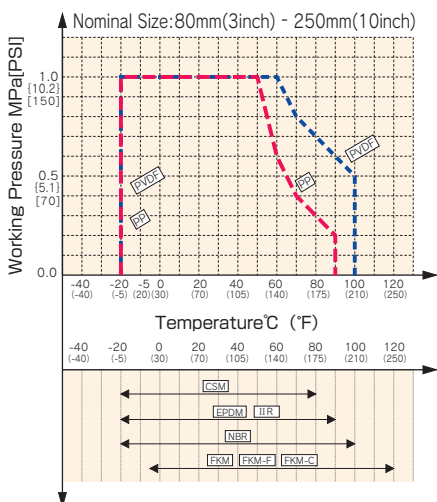
Body material	Standard	Working Temperature °C (°F)	Max. Working Pressure MPa{kgf/cm²}[PSI]	
			80mm - 250mm (3inch - 10inch)	300mm (12inch)
Poly diecyclo penta diene (PDCPD)	JIS, DIN	-5 - 100 (20 - 210)	1.0MPa{10.2kgf/cm²}[150PSI]	

- ANSI Standard

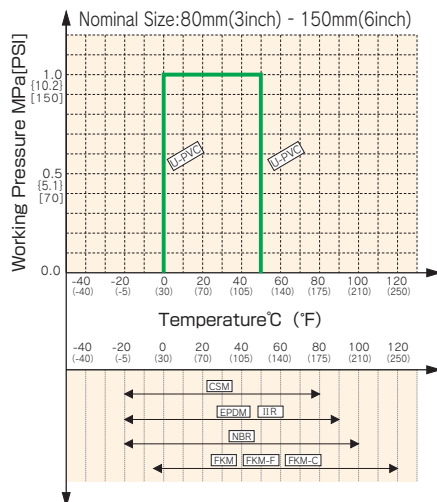
Body material	Standard	Working Temperature °C (°F)	Max. Working Pressure MPa{kgf/cm²}[PSI]	
			125mm - 250mm (3inch - 10inch)	300mm (12inch)
Polyvinyl Chloride (PVC)	ANSI	0 - 50 (30 - 120)	1.0MPa{10.2kgf/cm²}[150PSI]	0.75MPa{7.7kgf/cm²}[110PSI]

WORKING PRESSURE VS. TEMPERATURE

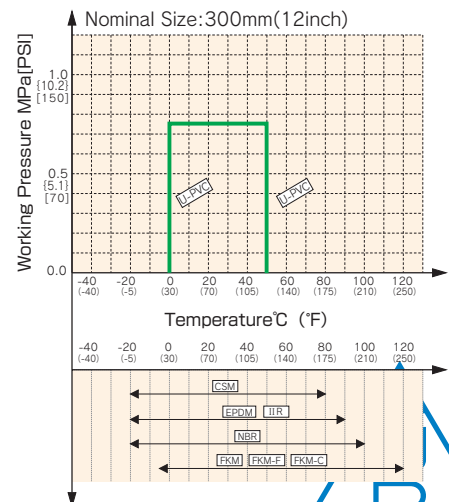
LUG-BUTTERFLY VALVE TYPE57L(WAFER)



LUG-BUTTERFLY VALVE TYPE57L(WAFER)



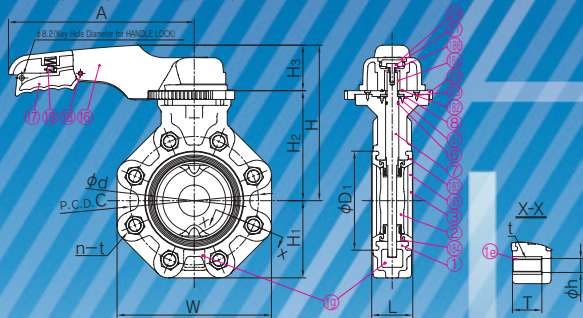
LUG-BUTTERFLY VALVE TYPE57L(WAFER)



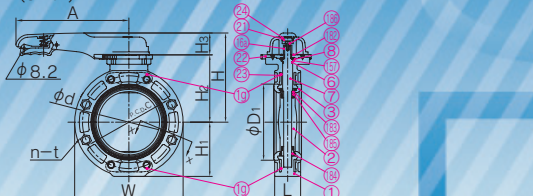
Lever Type

DIMENSION

●80mm(3inch)-150mm(6inch)



●200mm(8inch)



DIMENSIONS TABLE

Nominal Size		DIN PN10						Unit:mm									
mm	inch	d	C	n	h	D ₁	L	H	H ₁	H ₂	H ₃	A	W	T	t		
80	3	77	160	8	18	105	46	191	94	135	56	250	193	40	M16×40 width across fat 24		
100	4	102	180	8	18	134	56	206	105	150	56	250	217	40	M16×40 width across fat 24		
125	5	129	210	8	18	169	66	237	124	168	69	320	247	50	M20×50 width across fat 30		
150	6	150	240	8	23	190	71	252	138	183	69	320	285	50	M20×50 width across fat 30		
200	8	195	295	8	23	242	87	283	173	214	69	400	345	60	M20×50 width across fat 30		

Nominal Size		ANSI 150lb						Unit:inch									
mm	inch	d	C	n	h	D	D ₁	L	H	H ₁	H ₂	H ₃	A	W	T	t	
150	6	5.91	9.50	8	0.87	10.63	7.48	2.80	9.92	5.55	7.20	2.72	12.60	10.67	1.97	3/4-10 UNC	
200	8	7.68	11.75	8	0.87	12.60	9.53	3.43	11.14	6.61	8.43	2.72	15.75	12.76	2.26	3/4-10 UNC	

Note : The shape and appearance of assembly differ alittle with nominal size compared to this drawing.

PARTS & MATERIALS

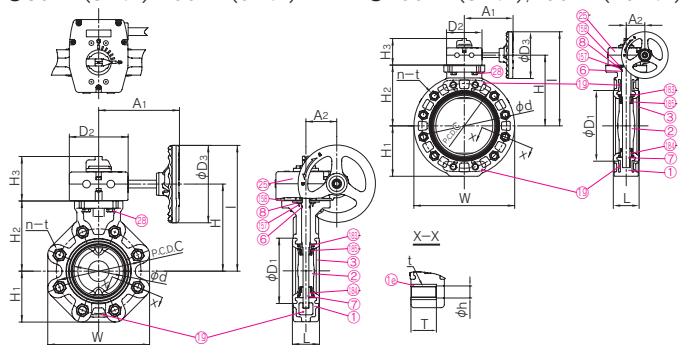
No.	DESCRIPTION	Pcs.	MATERIAL	REMARKS	No.	DESCRIPTION	Pcs.	MATERIAL	REMARKS
①	BODY	1	PDCPD		⑰	HANDLE LEVER	1	PPG	
⑰	LUG-INSERT	8	STAINLESS STEEL(SUS304) (Antiscoring coat)	used for 80-150mm	⑱	PIN	1	PPG	
		4		used for 200mm	⑲	SPRING	1	STAINLESS STEEL(SUS304)	
⑩	BODY-INSERT	1	STAINLESS STEEL(SUS304)	used for 125,150mm	⑳	BOLT(B)	1	STAINLESS STEEL(SUS304)	
		2	STAINLESS STEEL(SCS13)	used for 200mm	㉑	LOCKING PLATE	1	PPG	
②	DISC	1	PP,PVDF		㉒	SCREW(B)	4	STAINLESS STEEL(SUS304)	
③	SEAT	1			㉓	CAP(A)	1	PP	
⑥	O-RING(C)	1	EPDM,FKM,FKM-F,FKM-C		㉔	SCREW(F)	4	STAINLESS STEEL(SUS304)	
⑸	O-RING(I)	1			㉕	O-RING(H)	1	EPDM	
⑦	STEM	1	STAINLESS STEEL(SUS403)		㉖	SEAT BUSH(A)	1	PP,PVDF	
⑧	STEM HOLDER(A)	1	PP		㉗	SEAT BUSH(B)	1	PP,PVDF	
⑯	HANDLE(A)	1	PP		㉘	RUBBER + WASHER	1	STAINLESS STEEL(SUS304) +EPDM	
⑯	HANDLE INSERTED METAL	1	STAINLESS STEEL(SUS316L)						

Gear Type

DIMENSION

●80mm(3inch)-150mm(6inch)

●200mm(8inch),250mm(10inch)



DIMENSIONS TABLE

Nominal Size		DIN														Number of handle wheel rotation	GEAR BOX TYPE				
mm	inch	d	C	n	h	D ₁	D ₂	D ₃	L	H	H ₁	H ₂	H ₃	I	A ₁			A ₂	W	T	t
80	3	77	160	8	18	105	122	160	46	165	94	130	92	245	167	64	193	40	M16×40 width across fat 24	9.5	TYPE1
100	4	102	180	8	18	134	122	160	56	180	105	145	92	260	167	64	217	40	M16×40 width across fat 24		
125	5	129	210	8	18	169	122	160	66	195	124	160	92	275	167	64	247	50	M16×50 width across fat 24		
150	6	150	240	8	23	190	122	160	71	210	138	175	92	290	167	64	285	50	M20×50 width across fat 30		
200	8	195	295	8	23	242	122	160	87	241	173	206	92	321	167	64	345	60	M20×60 width across fat 30		
250	10	250	350	12	23	302	122	160	112	276	208	241	92	356	167	64	415	70	M20×70 width across fat 30		

PARTS & MATERIALS

No.	DESCRIPTION	Pcs.	MATERIAL	REMARKS
①	BODY	1	PDCPD,PVC	
⑰	LUG-INSERT	8	STAINLESS STEEL(SUS304) (Antiscoring coat)	used for 80-150,250mm
		4		used for 200mm
⑩	BODY-INSERT	1	STAINLESS STEEL(SUS304)	used for 125,150mm
		2	STAINLESS STEEL(SCS13)	used for 200,250mm
②	DISC	1	PP,PVDF	
③	SEAT	1		
⑥	O-RING(C)	1	EPDM,FKM,FKM-F,FKM-C	
⑸	O-RING(I)	1		
⑦	STEM	1	STAINLESS STEEL(SUS403)	
⑧	STEM HOLDER(A)	1	PP	
㉕	GEAR BOX	1	PLASTIC etc.	
㉘	BOLT(C)	4	STAINLESS STEEL(SUS403)	
㉙	SCREW(F)	4	STAINLESS STEEL(SUS403)	
㉚	GASKET(L)	1	EPDM	
㉛	SEAT BUSH(A)	1	PP,PVDF	
㉜	SEAT BUSH(B)	1	PP,PVDF	

Nominal Size		ANSI 150lb														Number of handle wheel rotation	GEAR BOX TYPE					
mm	inch	d	C	n	h	D	D ₁	D ₂	D ₃	L	H	H ₁	H ₂	H ₃	I			A ₁	A ₂	W	T	t
150	6	5.91	9.50	8	0.87	10.63	7.48	4.80	6.30	2.80	8.27	5.55	6.89	3.62	11.42	6.57	2.52	10.67	1.97	3/4-10 UNC	9.5	TYPE1
200	8	7.68	11.75	8	0.87	12.60	9.53	4.80	6.30	3.43	9.49	6.61	8.11	3.62	12.64	6.57	2.52	12.76	2.26	3/4-10 UNC		
250	10	9.84	14.25	12	0.98	15.75	11.89	4.80	6.30	4.41	10.87	7.95	9.49	3.62	14.02	6.57	2.52	15.91	2.52	7/8-9 UNC		
300	12	11.93	17.01	12	0.98	18.31	14.17	7.40	11.81	5.08	13.39	9.29	11.73	4.52	19.29	9.53	3.90	18.54	2.52	7/8-9 UNC		

NOTE. The shape and appearance of assembly differ little with nominal size compared to this drawing.



AURO LOCATIONS

AURO Armaturen- und RohrhandelsgesmbH
Lichtblaustraße 21
A-1220 Wien
Austria
Tel: +43/1/2565555
Fax: +43/1/25655555
E-Mail: wien@auro.cc

AURO Bulgaria EOOD
Illianci
3, Azalia Str.
BG-Sofia 1271
Bulgaria
Tel: +359/2/4894519
Fax: +359/2/4894722
E-Mail: bulgaria@auro.cc

AURO spol s.r.o
Technická 2/539
CZ-66448 Moravany u Brna
Czech Republic
Tel: +420/54/5233328
Fax: +420/54/5234753
E-Mail: auro@auro.cz

SC AURO Romania SRL
25-27, Celofibrei Str.
RO-077025 Bragadiru
Judetul Ilfov
Romania
Tel: +40/21/4205217
Fax: +40/21/4205218
E-Mail: romania@auro.cc

AURO Budapest Kft.
Gyár u. 2
H-2040 Budaörs
Hungaria
Tel: +36/23/503920
Fax: +36/23/503921
E-Mail: aurobp@aurobp.hu