

ASAHI AV VALVE AND PIPING SYSTEMS
ASAHI AV VALVES

AV GASKET



AV GASKET



Full face Type Rubber Gasket



Ring Type Gasket (JIS only)



PTFE coated



PVDF coated

● MATERIAL : EPDM, PTFE, PVDF, CSM, FKM, IIR, Viton F, C

FEATURES

- AV GASKETS offer Similar sealing performance with $\frac{1}{3}$ bolt tightening torque, compared to flat or envelope style gaskets.
- Uniform dimension, fine surface, suitable hardness.
- Long service life.
- Unique Convex Design.

SPECIFICATIONS

Material	Working Temperature	SIZE AVAILABILITY BY STANDARD		
		JIS	ANSI	DIN
EPDM	-40°C - 90°C (-40°F - 195°F)	15mm - 350mm	$\frac{1}{2}$ inch - 16inch *1	15mm - 350mm
PTFE	-40°C - 120°C (-40°F - 250°F)	15mm - 300mm	$\frac{1}{2}$ inch - 12inch	15mm - 300mm
PVDF	-40°C - 120°C (-40°F - 250°F)	15mm - 300mm	$\frac{1}{2}$ inch - 10inch *2	15mm - 300mm
VIFLON	-5°C - 150°C (-5°F - 280°F)	15mm - 200mm	—	—

Working temperature is different depending on type of fluid.

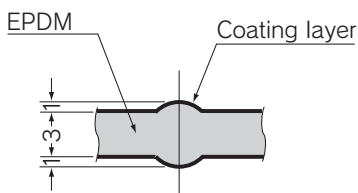
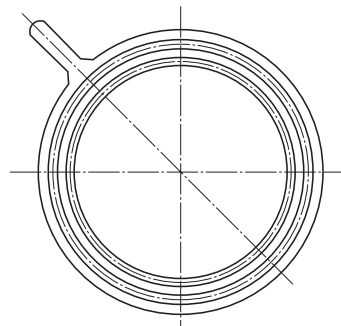
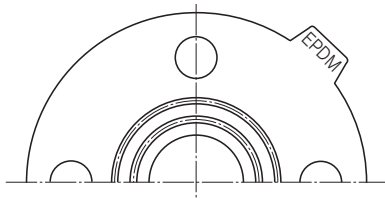
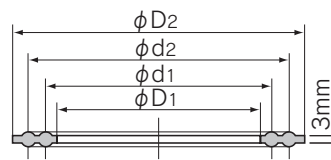
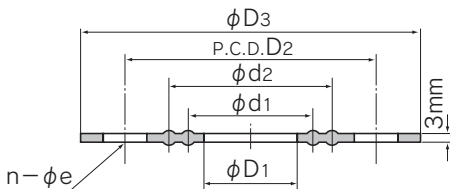
Voflon-F has superior resistance to inorganic acids such as HNO₃, HF and HCl.

Voflon-C has superior resistance to chlorine containing media such as Chlorine Water, NaCl and ClO₂.

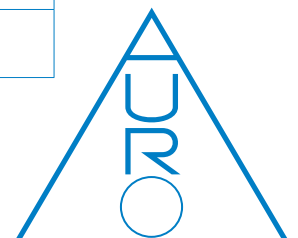
*1 14inch, 16inch:FLAT FULL FACE

*2 Except for $\frac{1}{4}$ inch and

DIMENSIONS



Type	Nominal Size	Thickness
PTFE	15mm($\frac{1}{2}$ inch) to 300mm(12inch)	0.3-0.4mm(0.012-0.016inch)
PVDF	15mm($\frac{1}{2}$ inch) to 65mm(2 $\frac{1}{2}$ inch) 80mm(3inch) to 300mm(12inch)	0.4-0.5mm(0.016-0.020inch)



DIMENSIONS TABLE

Full-Face Type (DIN 2501)								Unit:mm	Full-Face Type (ANSI CLASS150)								Unit:inch
Nominal Size		D ₁	D ₂	D ₃	n	e	d ₁	d ₂	Nominal Size		D ₁	D ₂	D ₃	n	e	d ₁	d ₂
mm	inch								inch	mm							
15	1/2	18	65	93	4	14	26	41	1/2	15	0.7	2.4	3.4	4	0.6	1.0	1.6
20	3/4	22	75	103	4	14	32	47	3/4	20	0.9	2.8	3.8	4	0.6	1.3	1.9
25	1	30	85	113	4	14	38	53	1	25	1.2	3.1	4.2	4	0.6	1.5	2.1
32	1 1/4	37	100	138	8	18	50	65	1 1/4	32	1.5	3.5	4.5	4	0.6	2.0	2.6
40	1 1/2	43	110	148	4	18	54	69	1 1/2	40	1.7	3.9	4.9	4	0.6	2.1	2.7
50	2	54	125	163	4	18	68	83	2	50	2.1	4.7	5.9	4	0.8	2.7	3.3
65	2 1/2	69	145	183	4	18	86	101	2 1/2	65	2.7	5.5	6.9	4	0.8	3.4	4.0
80	3	80	160	198	8	18	98	112	3	80	3.2	6.0	7.4	4	0.8	3.9	4.4
100	4	102	180	218	8	18	120	138	4	100	4.0	7.5	8.9	8	0.8	4.7	5.4
125	5	127	210	248	8	18	145	166	5	125	5.0	8.5	9.9	8	0.9	5.7	6.5
150	6	150	240	283	8	23	168	190	6	150	5.9	9.5	10.9	8	0.9	6.6	7.5
200	8	198	295	338	8	23	216	247	8	200	7.8	11.8	13.4	8	0.9	8.5	9.7
250	10	249	350	393	12	23	270	306	10	250	9.8	14.3	15.9	12	1.0	10.6	12.1
300	12	300	400	443	12	23	324	352	12	300	11.8	17.0	18.9	12	1.0	12.8	13.9
350	14	350	460	503	16	25	370	390	14	350	13.9	18.7	20.9	12	1.14	14.6	15.4
									16	400	15.6	21.2	23.4	16	1.14	17.3	18.5

*1 14inch, 16inch:FLAT FULL FACE

RECOMMENDED TIGHTENING TORQUE < ALL MATERIALS / FULL FACE TYPE >

mm(inch)	N·m	FT-LB	mm(inch)	N·m	FT-LB	mm(inch)	N·m	FT-LB
15 (1/2)	17.5	13	65 (2 1/2)	22.5	16	200 (8)	55	40
20 (3/4)	17.5	13	80 (3)	30	22	250(10)	55	40
25 (1)	20	14	100(4)	30	22	300(12)	60	43
40 (1 1/2)	20	14	125(5)	40	29	350(14)	60	43
50 (2)	22.5	16	150(6)	45	32	400(16)	80	58



AURO LOCATIONS

AURO Armaturen- und RohrhandelsgesmbH
Lichtblaustraße 21
A-1220 Wien
Austria
Tel: +43/1/2565555
Fax: +43/1/25655555
E-Mail: wien@auro.cc

AURO Bulgaria EOOD
Illianci
3, Azalia Str.
BG-Sofia 1271
Bulgaria
Tel: +359/2/4894519
Fax: +359/2/4894722
E-Mail: bulgaria@auro.cc

AURO spol s.r.o
Technická 2/539
CZ-66448 Moravany u Brna
Czech Republic
Tel: +420/54/5233328
Fax: +420/54/5234753
E-Mail: auro@auro.cz

SC AURO Romania SRL
25-27, Celofibrei Str.
RO-077025 Bragadiru
Judetul Ilfov
Romania
Tel: +40/21/4205217
Fax: +40/21/4205218
E-Mail: romania@auro.cc

AURO Budapest Kft.
Gyár u. 2
H-2040 Budaörs
Hungaria
Tel: +36/23/503920
Fax: +36/23/503921
E-Mail: aurobp@aurobp.hu